

Dansereau Dental Equipment Operator Schematics

America Operator

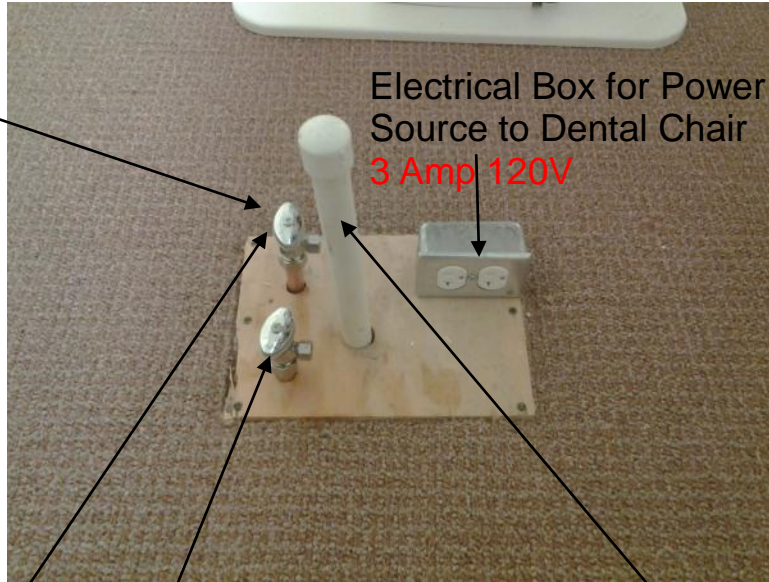
WITH TELESCOPING ASSISTANTS

Dansereau Health Products, Inc.
1581 Commerce Street
Corona, CA 92880
(800) 423 - 5657
Website WWW.DHPDENTAL.COM

DENTAL JUNCTION BOX APPEARANCE

Dental Junction Box Ready for Installation of Dental Equipment

CRITICAL NOTE:
Verify a Water Source is needed. Dental Equipment may have a Self Contained Water System eliminating the need for Public Water Source

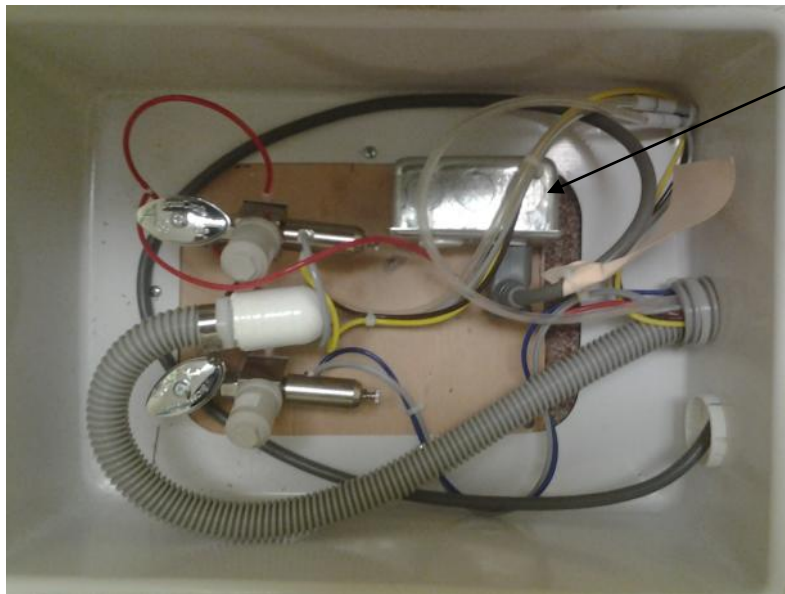


Electrical Box for Power Source to Dental Chair
3 Amp 120V

Chrome Angle Stops with 3/8" Compression Fitting

Vacuum Line - Dansereau supplies fitting

NOTE: If your Dental Junction Box Plumbing and Electrical DOES NOT look like this you are not ready for installation of your Dental Equipment.



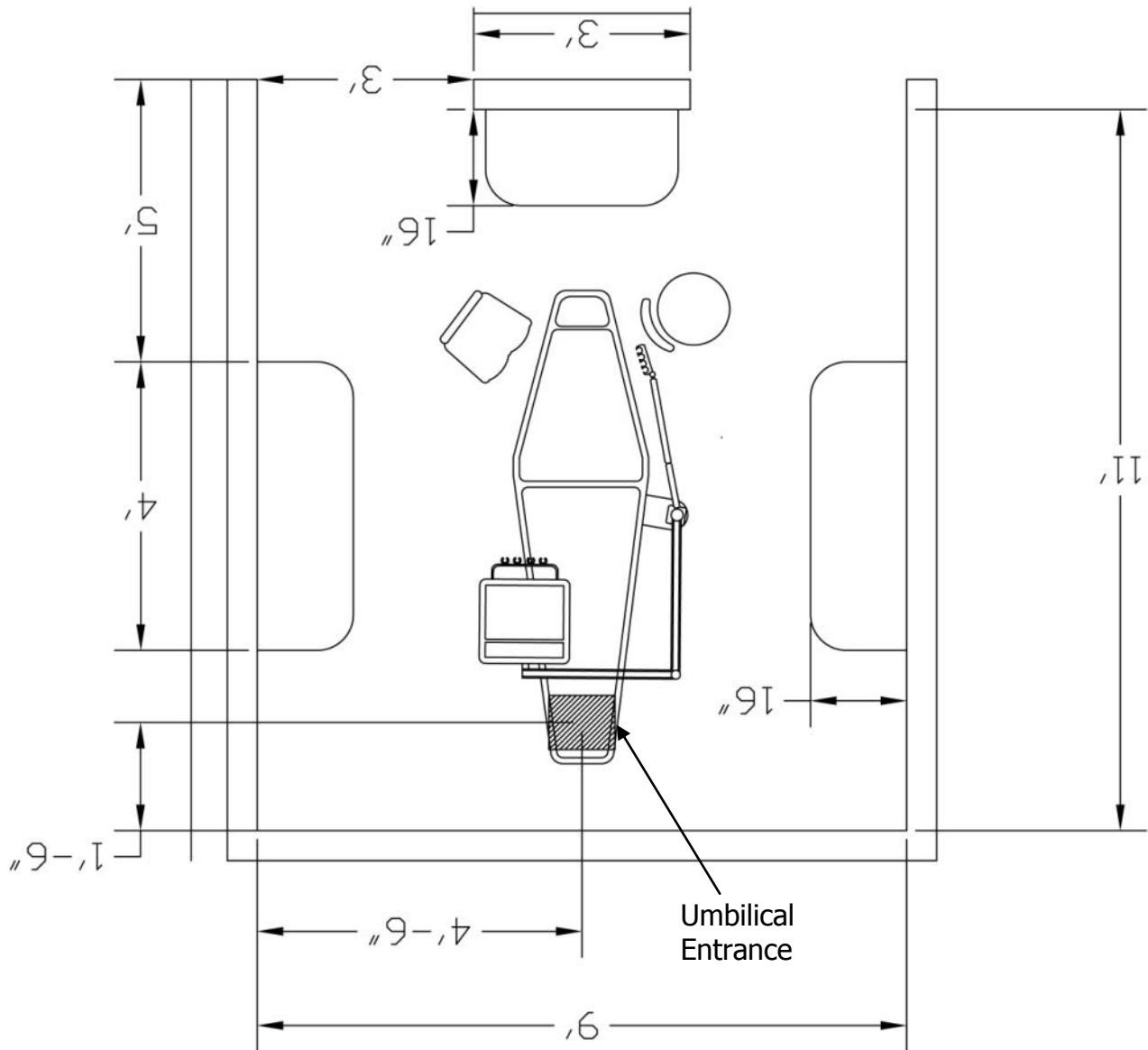
3 AMP - 120V

Complete Dental Junction Box

2

This is a Typical Dental Junction Box with Dental Equipment Installed

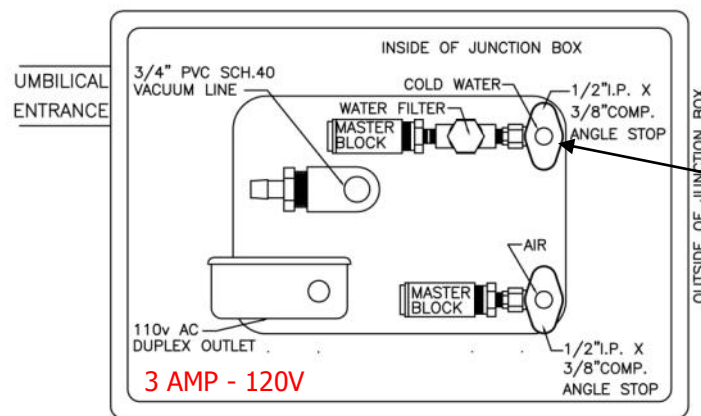
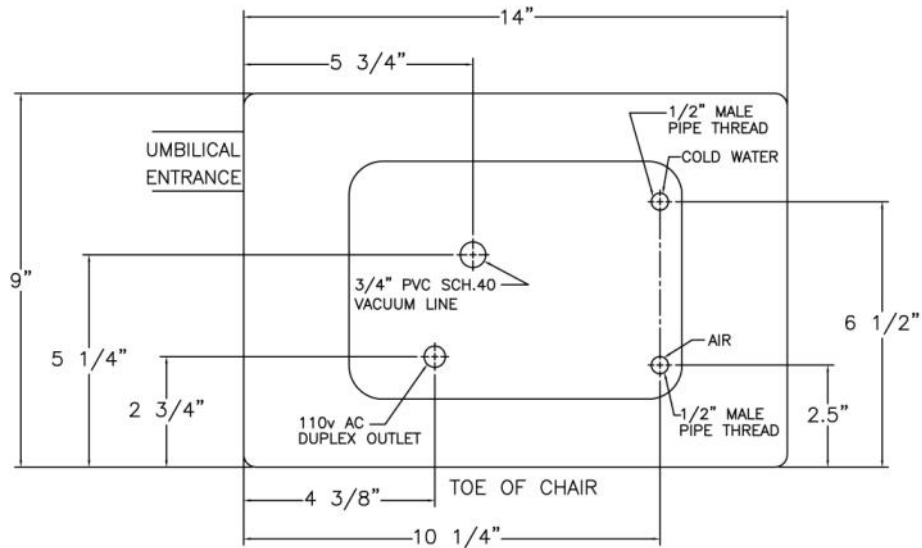
DENTAL JUNCTION BOX PLACEMENT



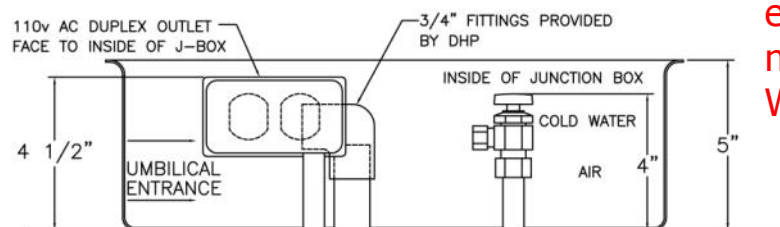
NOTES;

- 1) This is a typical operatory design, dimensions are recommendations, they can be adjusted to accommodate existing conditions and dentists requirements. They are NOT exact requirements.
- 2) Dental J Box Placement is recommended, however placement can be adjusted to accommodate existing conditions, below grade plumbing, wall plumbing or overhead plumbing. They are NOT exact requirements.
- 3) Dental Operatories are designed in all configurations and measurements, contact Dansereau at (800) 423 - 5657 to discuss your operatory dimensions if you are concerned about the ergonomics of your dental operatory.

DENTAL JUNCTION BOX SCHEMATICS - SURFACE



CRITICAL NOTE:
Verify a Water Source is needed. Dental Equipment may have a Self Contained Water System eliminating the need for Public Water Source

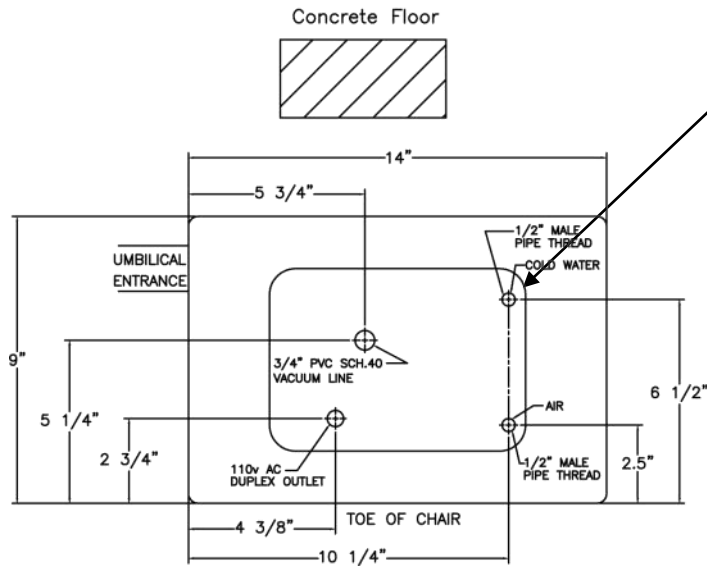


NOTES:

- 1) Dental Junction Box Schematics plumbing is required to be similar to above schematic. Accommodations can be made if plumbing is above grade.
- 2) Fittings and Valves - Angle Stops are required for proper installation of equipment.
- 3) This Dental Junction Box Schematic is for below grade plumbing, wall and overhead plumbing Dental Junction Box Schematic are different. Contact Dansereau Dental for information on Wall and Overhead Plumbing Schematics.
- 4) CRITICAL ELEMENT - All plumbing and electrical must be with the Dental Junction Box Dimension.

DENTAL JUNCTION BOX SCHEMATICS - SUBFLOOR

Recessed Dental Junction Box



CRITICAL NOTE:
Verify a Water Source is needed. Dental Equipment may have a Self Contained Water System eliminating the need for Public Water Source

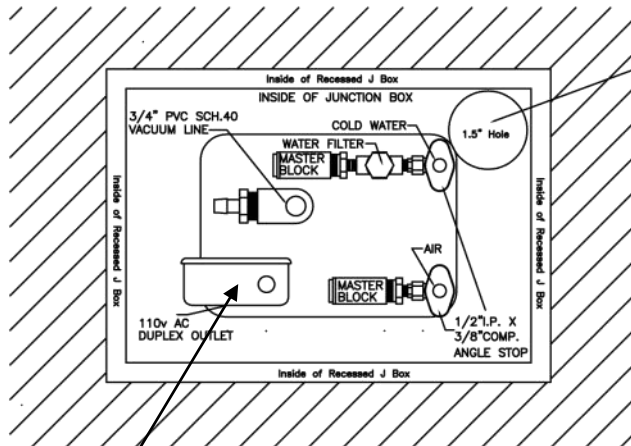
NOTES:

Dental Junction Box Schematics for below grade plumbing are critical for proper installation of fittings in confined space.

Fittings and Valves - Angles Stops are required for proper installation of equipment.

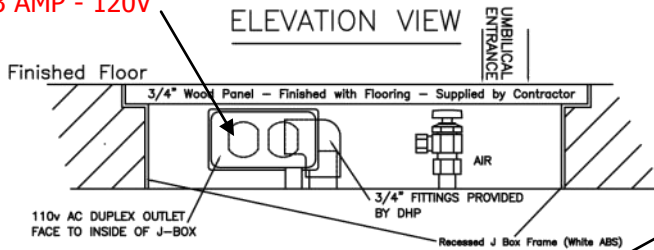
This Dental J Box is below grade and Dansereau is supplying the Sub Floor Junction Box with Plywood Lid.

4) **CRITICAL ELEMENT** - All plumbing and electrical must be with the Dental Junction Box Dimension.

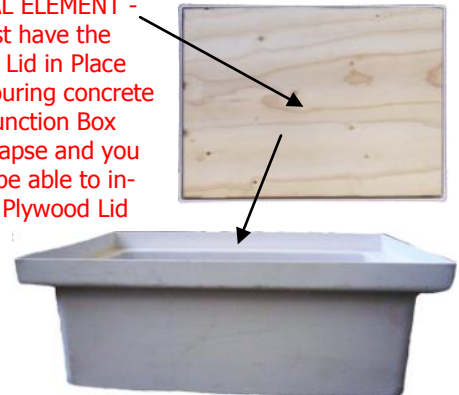
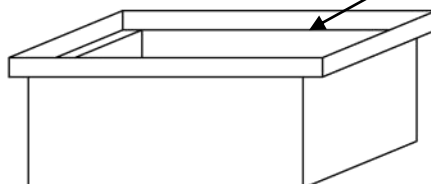


3 AMP - 120V

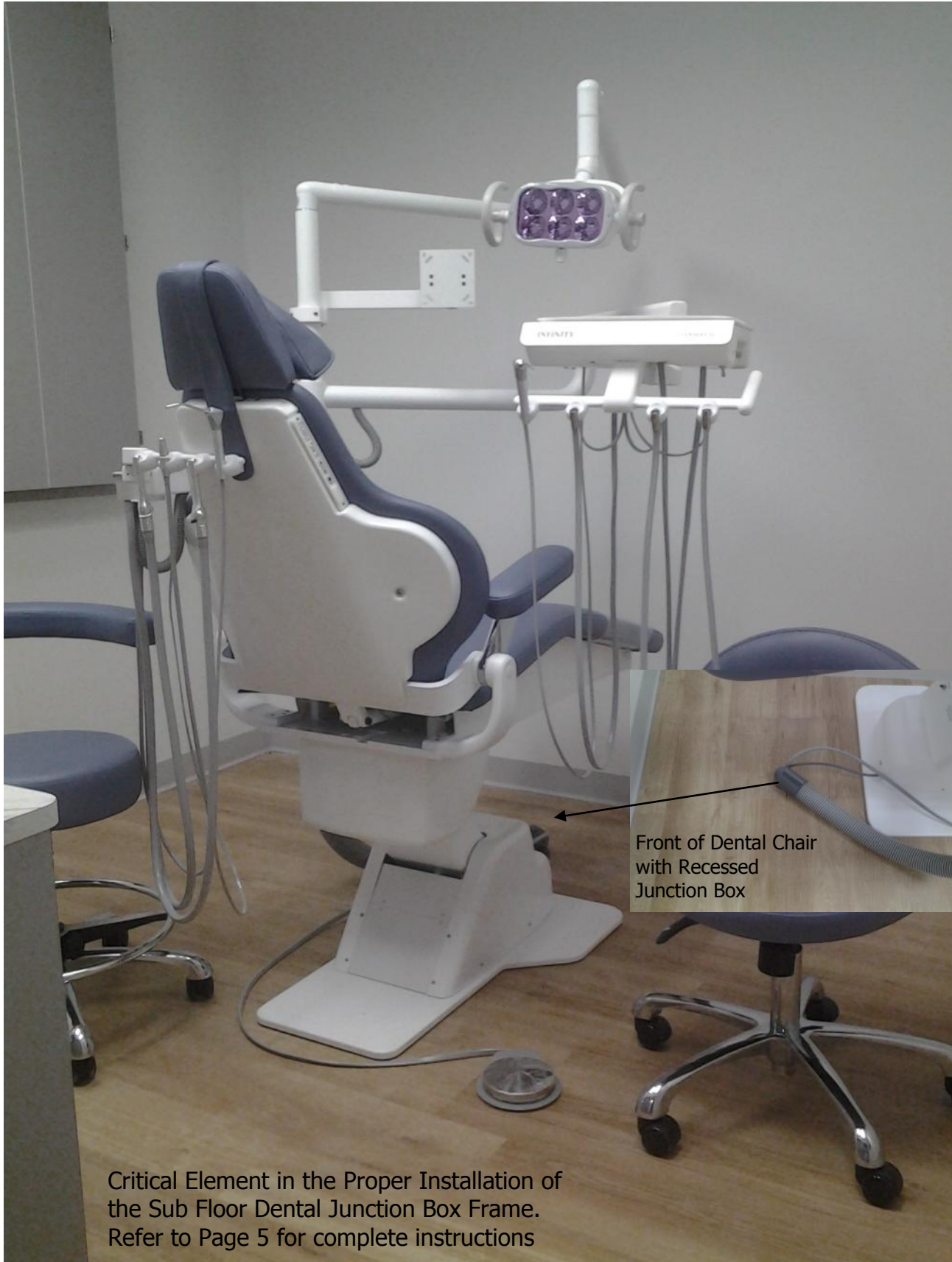
ELEVATION VIEW



CRITICAL ELEMENT - You must have the Plywood Lid in Place when pouring concrete or the Junction Box will collapse and you will not be able to install the Plywood Lid



DENTAL OPERATORY FINISHED - SUB FLOOR



Critical Element in the Proper Installation of the Sub Floor Dental Junction Box Frame. Refer to Page 5 for complete instructions

DENTAL JUNCTION BOX SCHEMATICS - WALL MOUNT

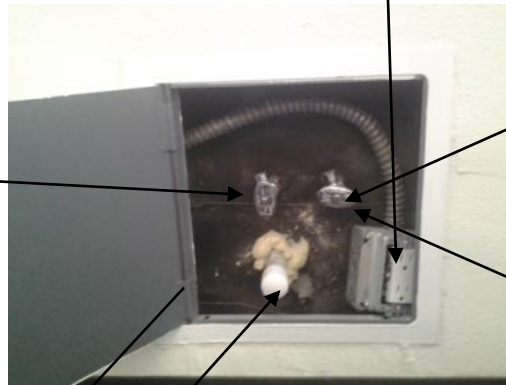
Internal Wall Mounted Schematics - Contractor Installs Metal Cabinet and Plumbing. Angle Stops and Electrical Source (Outlet 120v).

Electrical Box for Power Source to Dental Chair

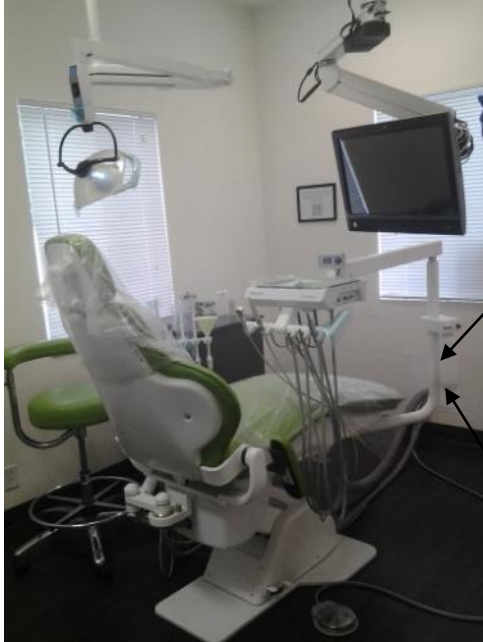
Chrome Angle Stops with 3/8" Compression Fitting - Air Line

Chrome Angle Stops with 3/8" Compression Fitting - Water Line

CRITICAL NOTE: Verify a Water Source is needed. Dental Equipment may have a Self Contained Water System eliminating the need for Public Water Source



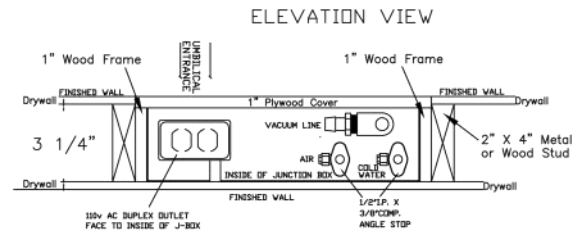
Vacuum Line - Dansereau supplies fitting



Metal Cabinet



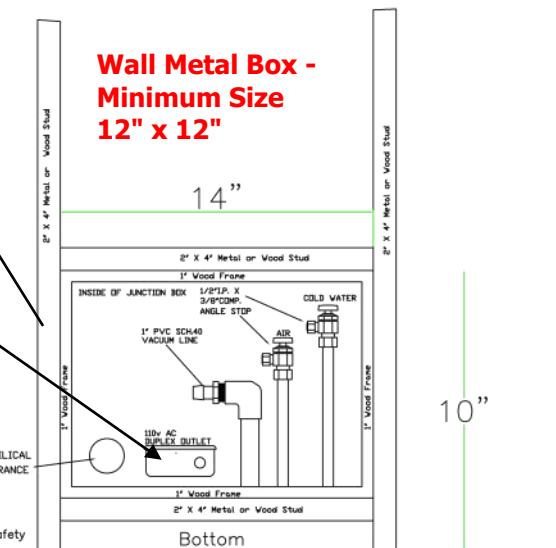
Metal Cabinet W/ Dental Unit Umbilical



Wall Metal Box - Minimum Size 12" x 12"

3 AMP - 120V

- Critical Notes:
- 1) Verify Water Requirements as Dental Delivery Systems with Self Contained Water Systems will not require Water in J Box
 - 2) Verify Vacuum Model as Line Size May Change
 - 3) Uniform Plumbing Code requires any Dental Delivery System to be installed to the Public Water System an Independent Backflow Device Verify with the Local Building and Safety

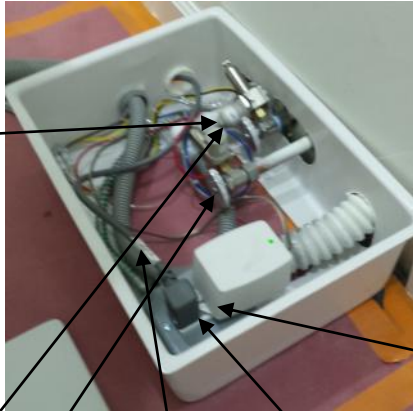


Finished Floor

DENTAL JUNCTION BOX APPEARANCE

Dental Junction Box " Above Ground Plumbing " Ready for Installation of Dental Equipment

CRITICAL NOTE:
 Verify a Water Source is needed.
 Dental Equipment may have a Self Contained Water System eliminating the need for Public Water Source



Electrical Box for Power Source to Dental Chair

3 AMP - 120V

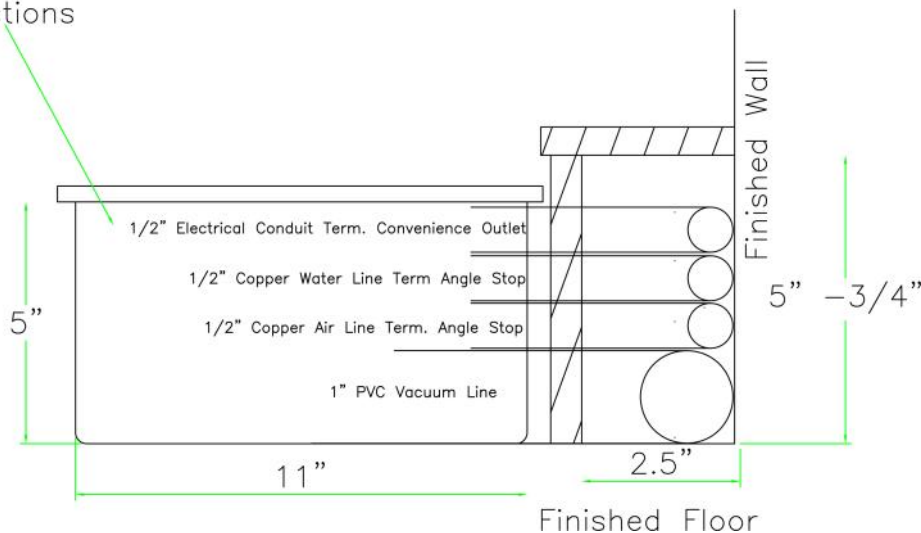
Chrome Angle Stops with 3/8" Compression Fitting

Vacuum Line - Dansereau supplies fitting

NOTE: If you Dental Junction Box Plumbing and Electrical DOES NOT look like this you are not ready for installation of your Dental Equipment.

Dental Unit Lines Cover

Verify with J Box Detail Connections



Above Ground Plumbing Chase

8

This is a Typical Dental Junction Box with Dental Equipment Installed

AMERICA OPERATORY WITH TELESCOPING ASSISTANTS PACKAGE



Telescoping Assistants Package

Dental Junction Box Umbilical

Dental Junction Box

NOTE: Dental Junction Box location is NOT required to be in this EXACT location.