

Dansereau Dental Equipment
X - ray Machine Specifications

Wall Mounted

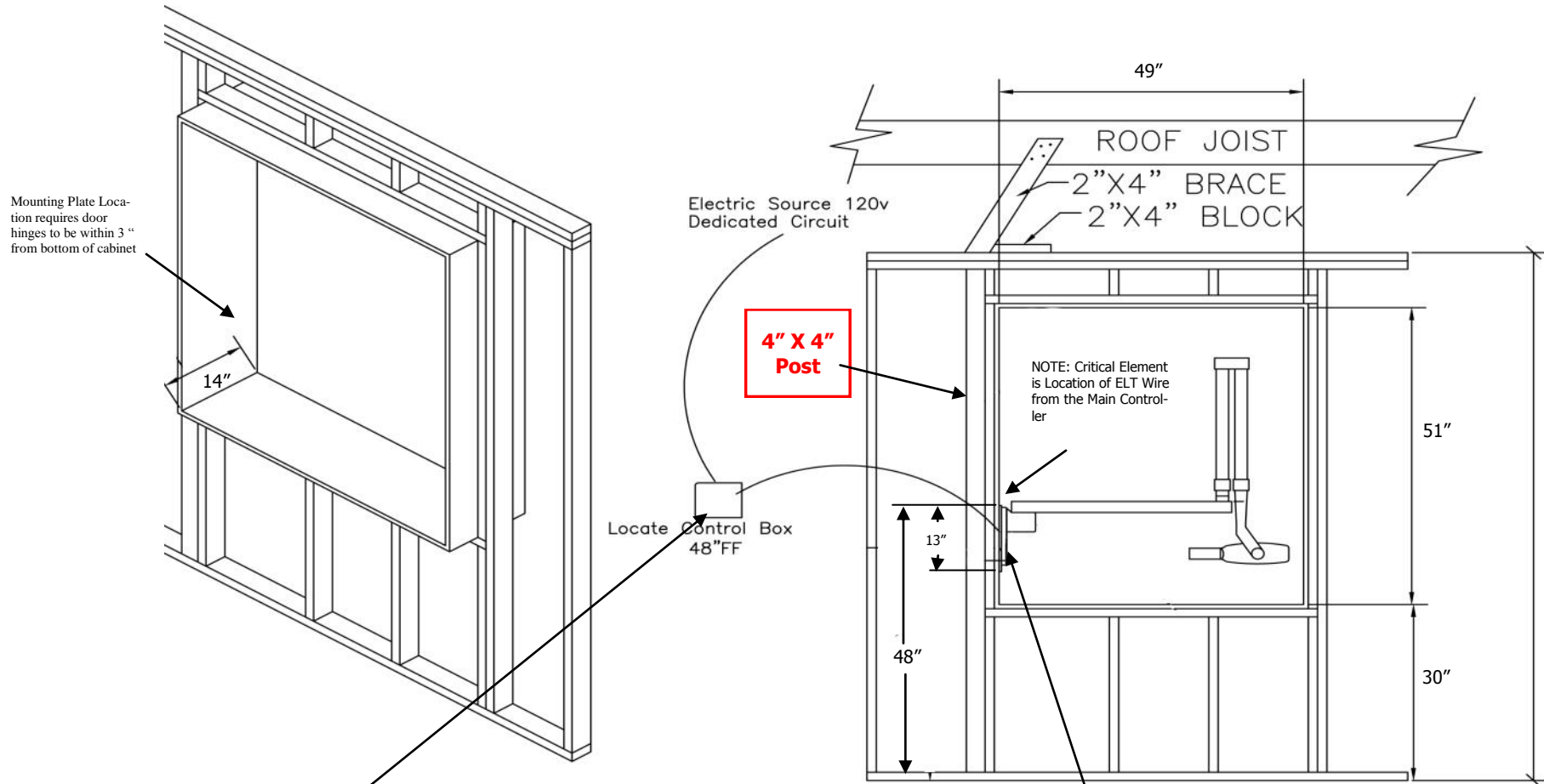
And

Pass Thru Mounted

Dansereau Health Products, Inc.
1581 Commerce Street
Corona, CA 92880
(800) 423 - 5657
Website WWW.DHPDENTAL.COM

X RAY MACHINES

Pass Thru X ray Framing and Support Specifications



Sub Controller must be mounted in a manner that it will withstand a 10lb shear load.

IMPORTANT:
For all types of wall construction, mounting hardware must withstand a 100lb(45kg) shear load and a 450 lb(202.5kg) withdrawal force at each 5/16" x 3" lag screw and each M8x20mm bolt.

X RAY MACHINES

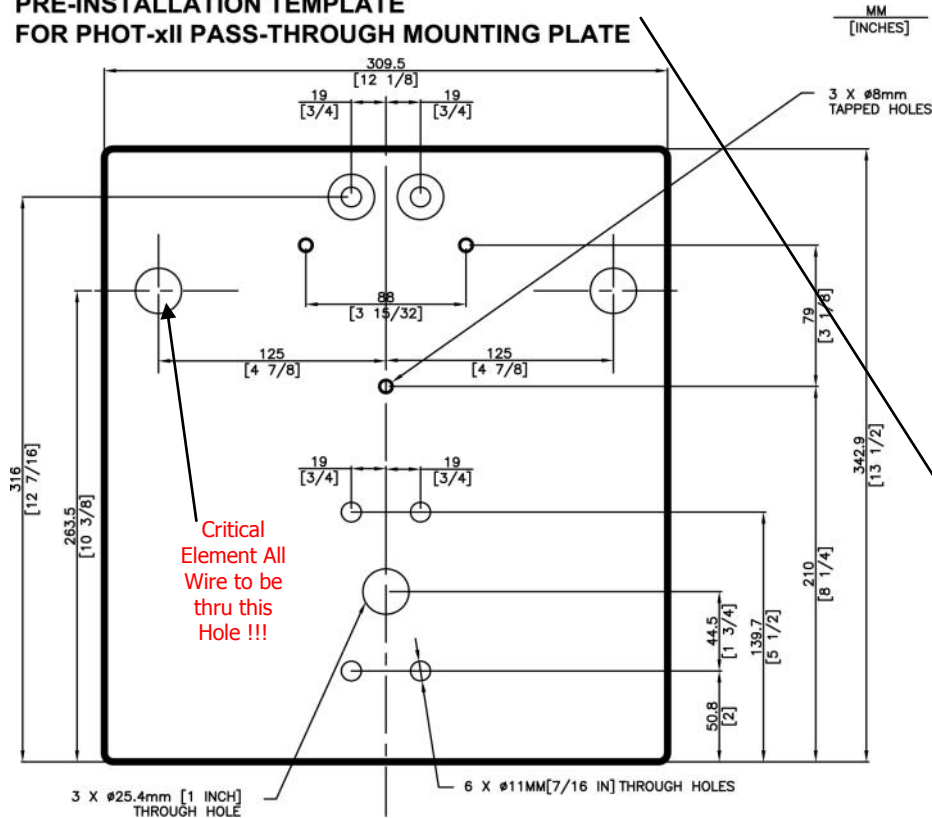
Pass Thru X ray Mounting Specifications

Electrical Requirements:

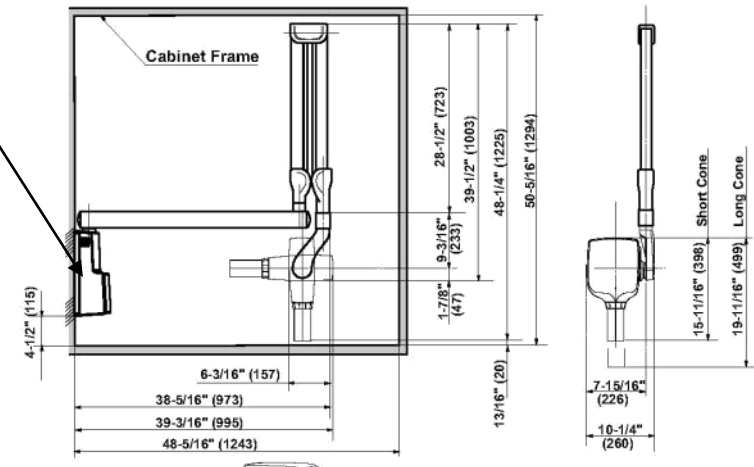
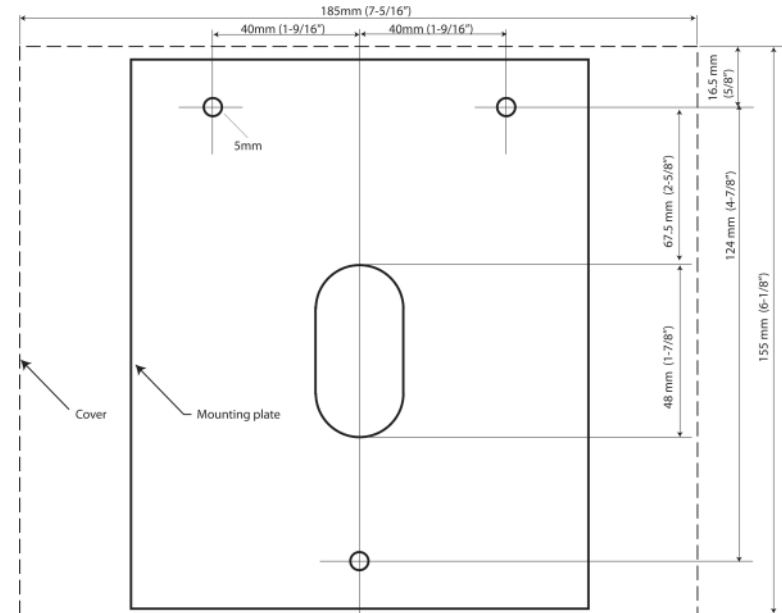
Power Supply 120VAC=/ \pm 10% with a 3 Wire Grounded Dedicated Circuit. 20 Amperes - Wire Size 12AWG - Line Voltage must be within 2 - 3% at 10.8 Amps.

Interconnecting wiring between Sub Controller and Main Controller 4 Conductor, 20AWG, 300V with a Maximum wire run of 33 feet

PRE-INSTALLATION TEMPLATE FOR PHOT-xii PASS-THROUGH MOUNTING PLATE



Sub Controller Wall Mount Template



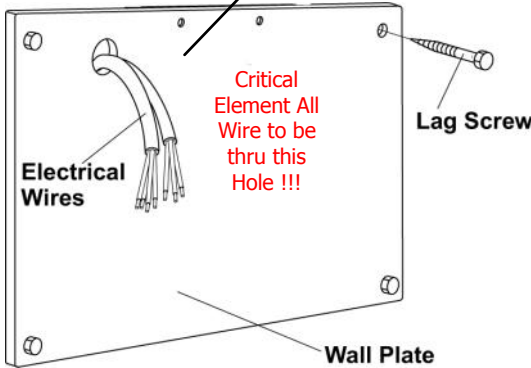
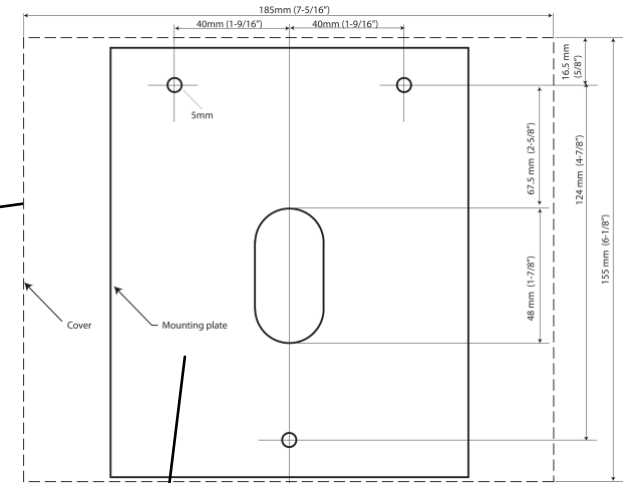
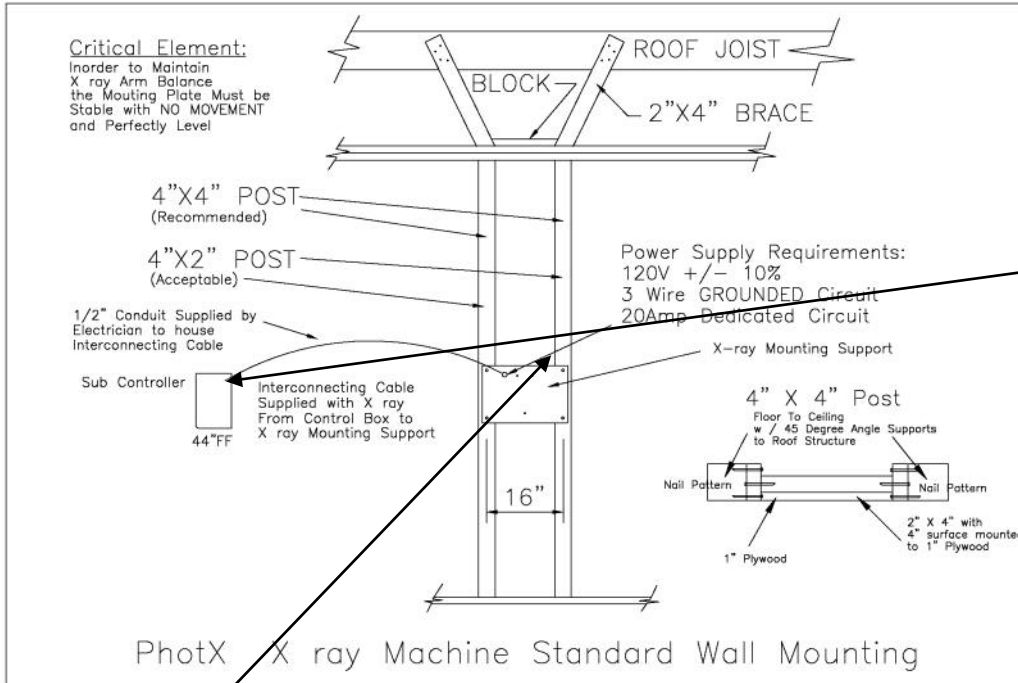
NOTE: Contact Dansereau for actual Full Size Templates

X RAY MACHINES

Wall Mt. X ray Framing /Support Specifications

CAUTION !!!

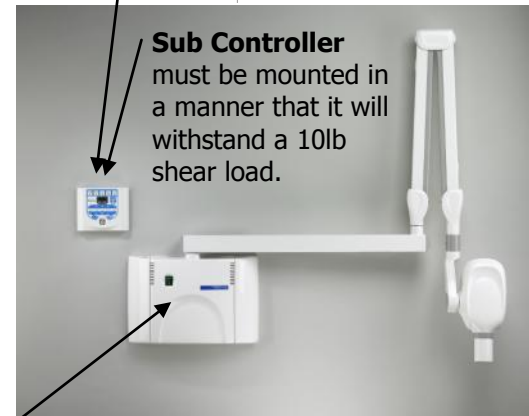
If the X-RAY is mounted in a manner other than specified by Belmont Mfg the support of the wall must be checked and verified to be adequate.



IMPORTANT:
For all types of wall construction, mounting hardware must withstand a 100lb(45kg) sheer load and a 450 lb(202.5kg) withdrawal force at each 5/16" x 3" lag screw and each M8x20mm bolt.

Electrical Requirements:

Power Supply 120VAC= +/-10% with a 3 Wire Grounded Dedicated Circuit. 20 Amperes - Wire Size 12AWG - Line Voltage must be within 2 - 3% at 10.8 Amps. Interconnecting wiring between Sub Controller and Main Controller 4 Conductor, 20AWG, 300V with a Maximum wire run of 33 feet



Sub Controller must be mounted in a manner that it will withstand a 10lb shear load.

Main Controller:

The **Main Controller** of the Photx is designed to mount on two 2" x 4" wood studs with 16" centers. The wall mounting hardware must be sufficient to withstand a 100lb shear load and a 450 drawal force.

NOTE: Contact Dansereau for actual Full Size Templates